



Product Data Sheet

URBAN CONCRETE WHEEL STOP

URBAN CONCRETE WHEEL STOP

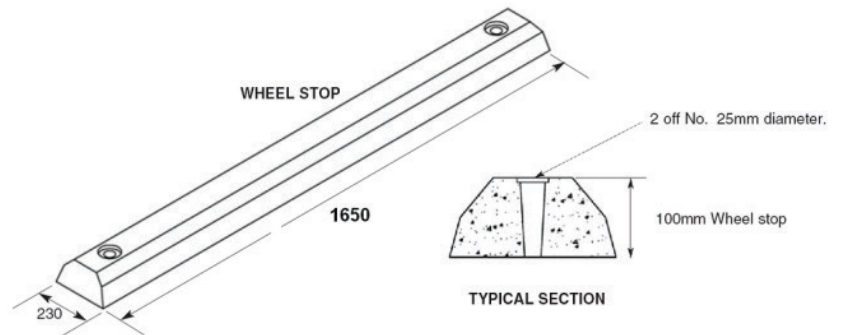
(UAWS-WSC1650-P)

To help stop vehicles hitting carpark walls or penetrating walk areas. Ideally used in large car parks or parking buildings.

Designed to match kerbing it blends with its surroundings. It may also be painted to fit any colour scheme or for high visibility.

FEATURES

- Protecting vehicles and property from damage.
- Protecting garden areas from vehicles.
- Preventing cars from overhanging pedestrian walkways.
- Restricting how far a vehicle can travel within a designated parking space.
- Keeping a vehicle to the designated parking space.
- Conforms to AS/NZS 2890.1:2004



SPECIFICATIONS

PRODUCT	Urban Concrete Wheel Stop
MATERIAL	Reinforced Concrete
LENGTH	1650mm
HEIGHT	100mm
WIDTH	230mm
WEIGHT	65kg
FIXING	Fixing spikes available

