



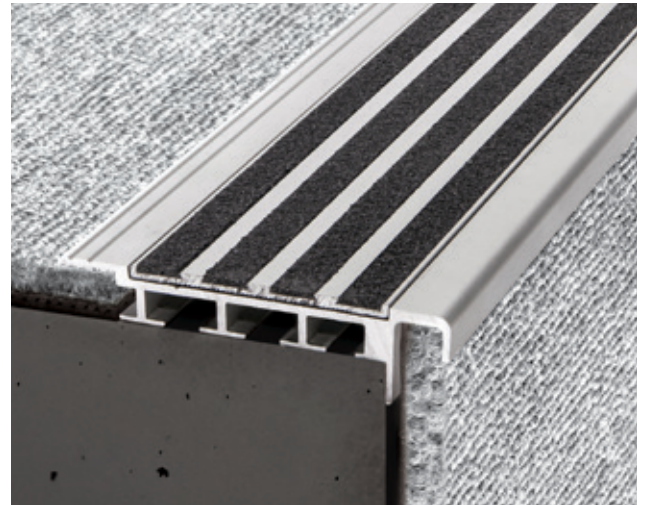
## Product Data Sheet

# STEPMASTER STAIRNOSINGS

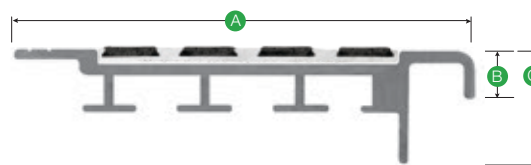
## STEPMASTER 100 SERIES (SMN118)

### SPECIFICATIONS

PRODUCT	<b>Stepmaster 100 Series SM118</b>
BASE MATERIAL	Alloy: 6060, Temper: T5
FINISH	Clear Anodised – 25Um
TREAD WIDTH	82mm
FRONT DEPTH	22mm
TREAD THICKNESS	12mm
INSERT TYPE	Solid Epoxy Based Carborundum – Heavy Duty, External Grade
INSERT WIDTH	54mm
INSERT COLOURS	Black, Safety Yellow, Grey, White – other colours on request.
INSERT SLIP RATING	P5 Classification (Highest available)
CODE COMPLIANCE	AS1428.1-2009 Check floor finish colour for luminance contrast requirements,
FEATURES	Profile installed prior to carpet tiles. Holds carpet tiles on tread and riser. Pre-drilled and countersunk for secret screw fixing – Once installed, insert covers all fixings.
OPTIONS	Available in black anodised aluminium



### PROFILE



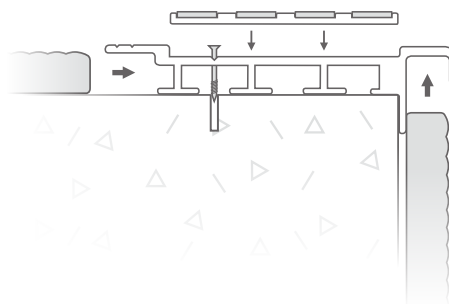
A	82mm
B	10mm
C	22mm

### STANDARD COLOURS

Other colours available on request



### TYPICAL INSTALLATION METHOD



### STEPMASTER STAIRNOSING

#### “Defines the Lines”

Step Master offers a comprehensive range of architecturally designed profiles to meet every demand, from heavy duty traffic in railway stations to the more general retail/office use, providing maximum pedestrian safety and WHS requirements. Step Master Stair Nosing's are manufactured to meet and exceed the Australian standards and building codes.